

PLEASE CHECK WWW.MOLEX.COM FOR LATEST PART INFORMATION

Part Number: [0351270400](#)
Status: **Active**
Description: 6.00mm (.236") Pitch Wire-to-Wire Male Housing, 4 Circuits, Vertical

Documents:

[3D Model](#) [Product Specification PS-35127-001 \(PDF\)](#)
[Drawing \(PDF\)](#) [RoHS Certificate of Compliance \(PDF\)](#)

Agency Certification

CSA	LR19980
TUV	R72081037
UL	E29179

General

Product Family	Crimp Housings
Series	35127
Product Name	N/A

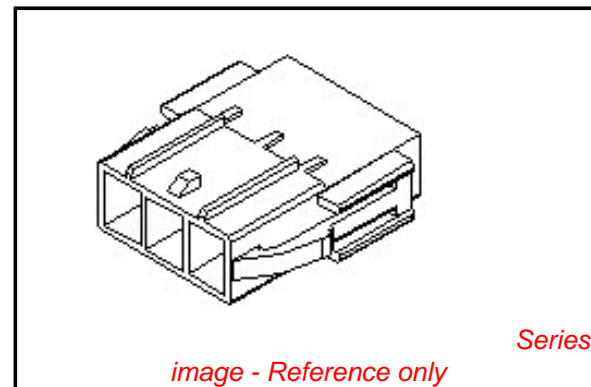
Physical

Circuits (maximum)	4
Color - Resin	Natural
Flammability	94V-0
Gender	Male
Glow-Wire Compliant	No
Material - Resin	Polyester
Number of Rows	1
Packaging Type	Bag
Panel Mount	Yes
Pitch - Mating Interface (in)	0.236 In
Pitch - Mating Interface (mm)	6.00 mm
Stackable	No
Temperature Range - Operating	-40°C to +120°C

Material Info

Reference - Drawing Numbers

Product Specification	PS-35127-001
Sales Drawing	SD-35127-001



EU RoHS

**ELV and RoHS
Compliant**
REACH SVHC
 Not Reviewed
**Halogen-Free
Status**
Not Reviewed

China RoHS



**Need more information on product
environmental compliance?**

Email productcompliance@molex.com
 For a multiple part number RoHS Certificate of
 Compliance, [click here](#)

Please visit the [Contact Us](#) section for any
 non-product compliance questions.

Search Parts in this Series

[35127Series](#)

Mates With

[35128](#)

Use With

[35040](#)

DO NOT SCALE DRAWING DIMENSION IN METRIC

DWG. NO. SD-35127-001

SIMILAR ITEM

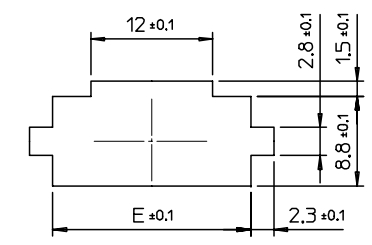
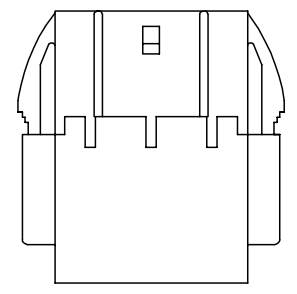
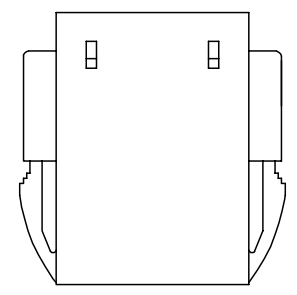
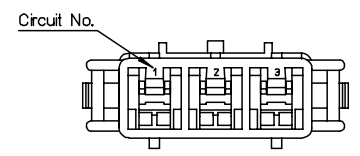
PROJECT NO.

B

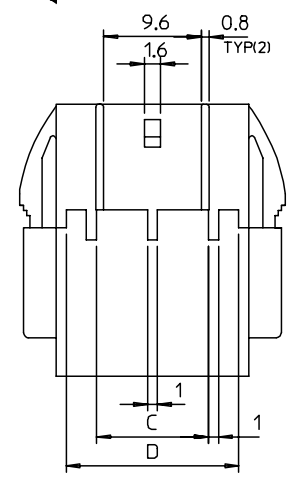
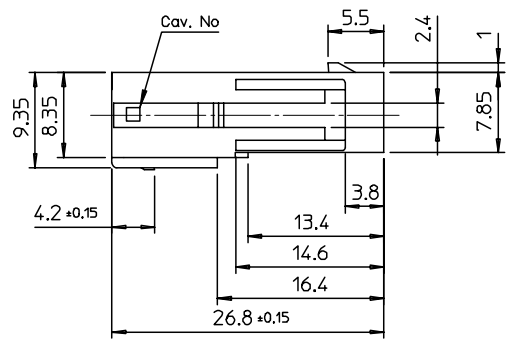
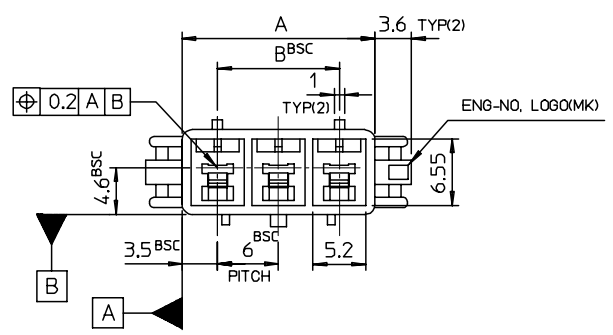
C

8 7 6 5 4 3 2 1

F
E
D
C
B
A



APPLICABLE PANNEL
THICKNESS : 1.2~2.0mm



NOTES

1. MATERIALS: POLYESTER(PBT), UL94V-0, COLOR: NATURAL(WHITE)
2. DRAFT TO BE 0°30' UNLESS SPECIFIED.
3. WARPING TO BE 0.20 MAX.
4. PERMISSIBLE FLASH: 0.10MAX.
5. APPLICABLE MALE TERMINAL : 35040-****
6. MATED FEMALE HOUSING : 35128-****
7. PRODUCT SPECIFICATION : PS35127

25.5	23	11	18	25	351270400	35127-0400	4
19.5	17	11	12	19	351270300	35127-0300	3
13.5	11	5	6	13	351270200	35127-0200	2
E	D	C	B	A	MAT'L NO	ENG NO	CIRCUITS

REVISED ECN NO. KOR2000-0174 DRWN: Y.R.KIM 05.03.14 CHK: Y.SOOKIM 05.03.14 APPR: C.W.LEE 05.03.14	QUALITY SYMBOLS MAJOR ▲ = 2 CRITICAL △ =	GENERAL TOLERANCES: (UNLESS SPECIFIED)		SCALE 2:1	DESIGN UNITS <input checked="" type="checkbox"/> mm <input type="checkbox"/> INCH	THIRD ANGLE PROJECTION	DIMENSIONS: <input type="checkbox"/> mm <input checked="" type="checkbox"/> INCH <input type="checkbox"/> mm ONLY		SHT REV
		4 PLACES ±0.	±	3 PLACES ±0.	±	2 PLACES ±0.	±	1 PLACE ±0.2	±
C	REV	DRAFT WHERE APPLICABLE MUST REMAIN WITHIN DIMENSIONS		CAD FILENAME SD35127A_C.MI		MATERIAL NO. SEE TABLE	DRAWING NO. SD-35127-001	SHEET NO. 1 of 1	
THIS DRAWING CONTAINS INFORMATION THAT IS PROPRIETARY TO MOLEX INCORPORATED AND SHOULD NOT BE USED WITHOUT WRITTEN PERMISSION.								SIZE B	KOREA MX-A3